



The standard for  
**Home Entertainment Networking™**

**Jeff Finkelstein  
Cox Communications**

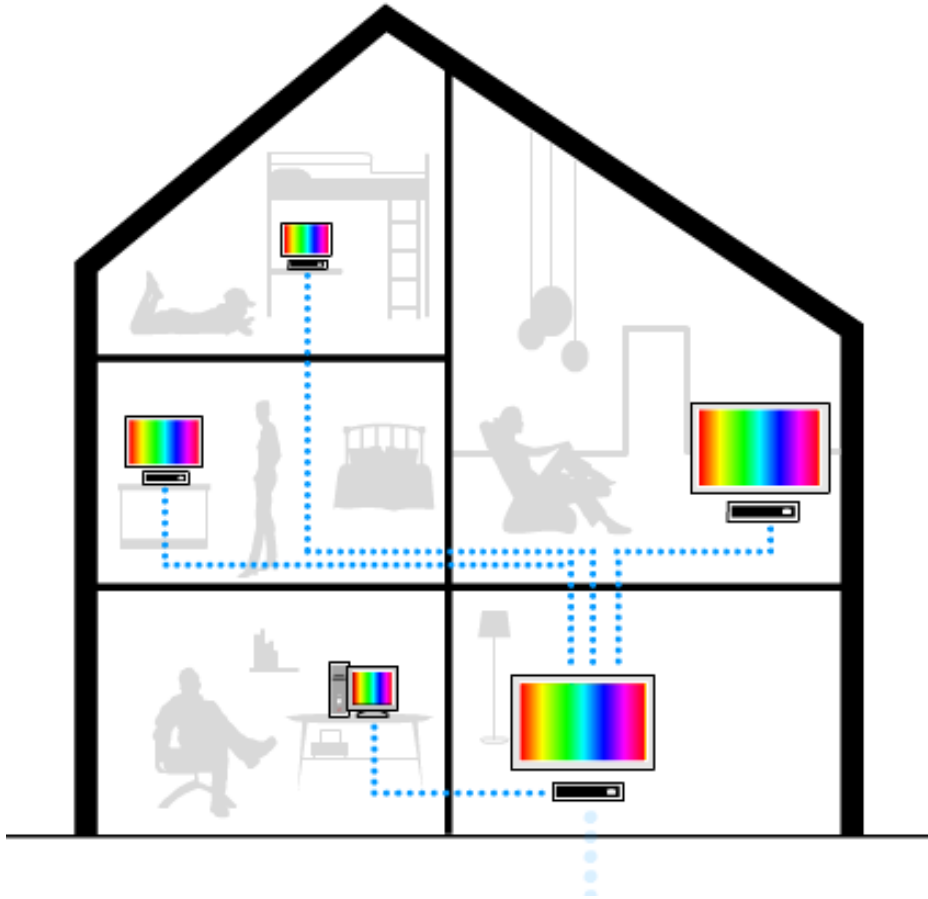
**MoCA Educational Workshop  
November 9, 2010  
TelcoTV**

# Cox Communications at a Glance

- 3rd largest cable telecommunications provider in U.S.
  - 6 million total residential and commercial customers
  - 14 regional profit centers
  - 22,000 employees
  - ~\$8 billion revenue
- J.D Power rating as one of the leading providers of cable TV, telephone and high-speed Internet
- Entering wireless market this year
- Cox Business Services for small- and medium-sized businesses
- Cox Media – television advertising solutions



# Current Use of MoCA at Cox



## Cox Multi-Room DVR

- Record SD & HD content on the primary DVR set-top
- Access recorded content on any connected set-top
- Content streams over the home coax network using MoCA 1.1
- Up to 6 simultaneous HD streams have been demonstrated using MoCA 1.1

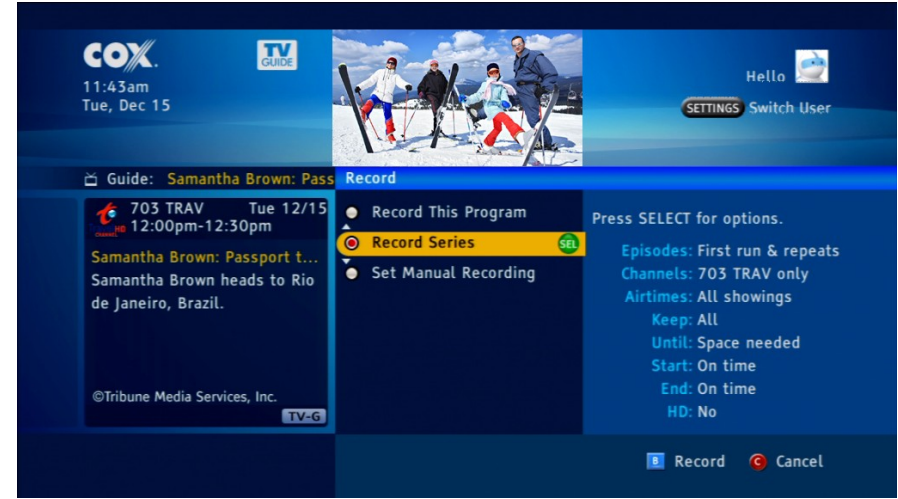
## Home Gateway

- Terminates HFC Plant either in or outside the home
- Can be used in single family or MDU
- May use MoCA 1.1 initially, moving to MoCA 2.0

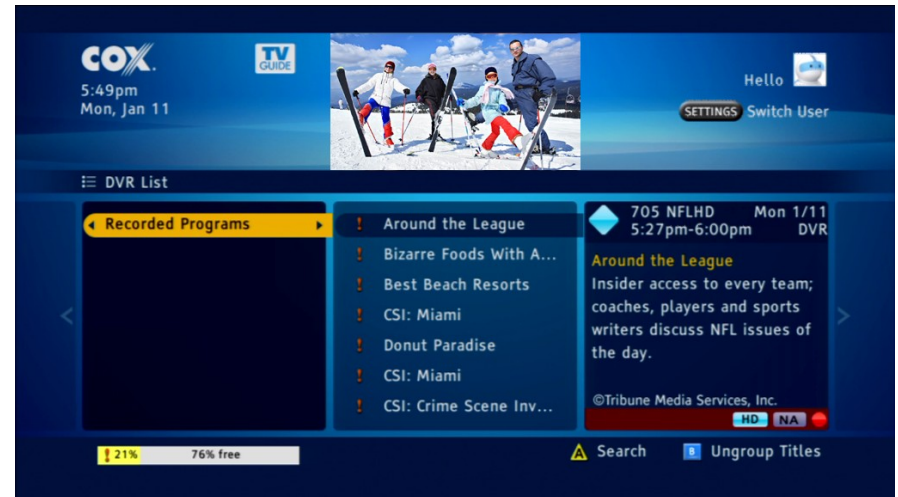
# Multi-Room DVR



Living Room

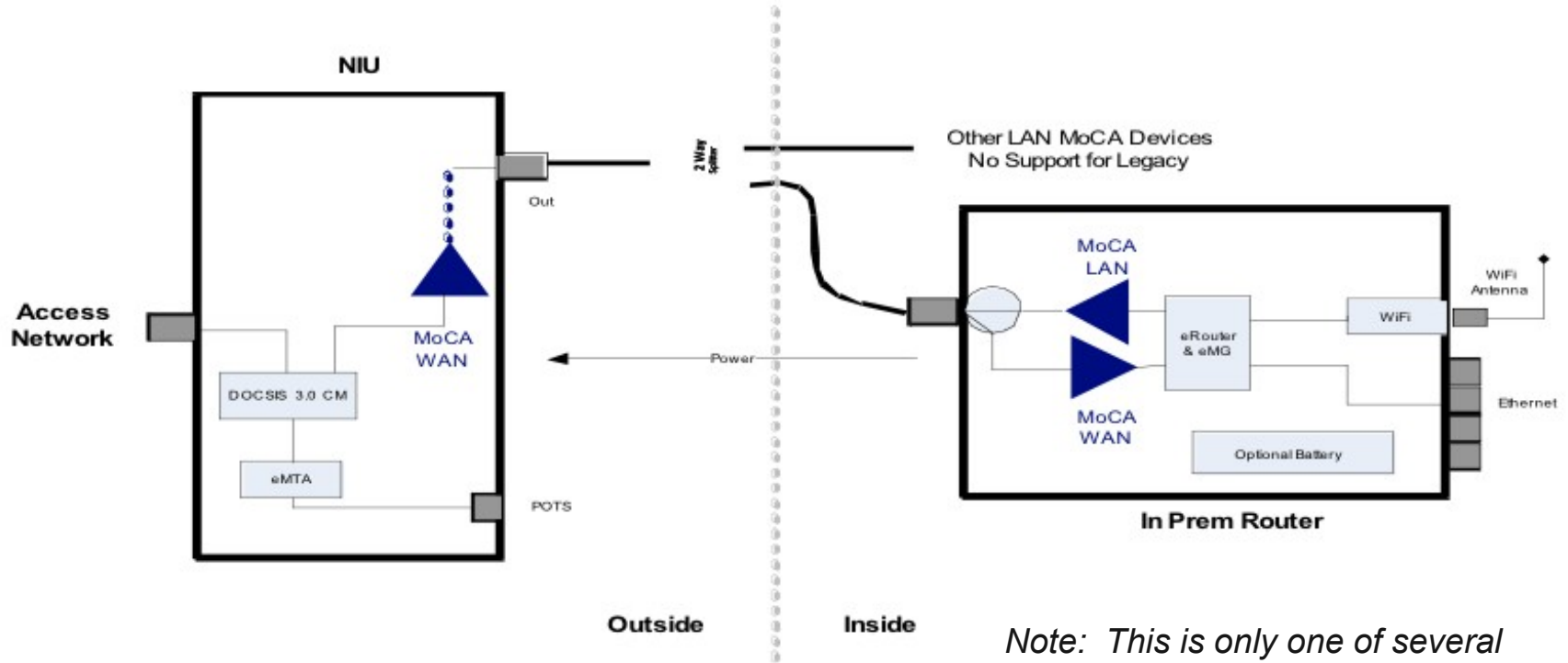


Bedroom



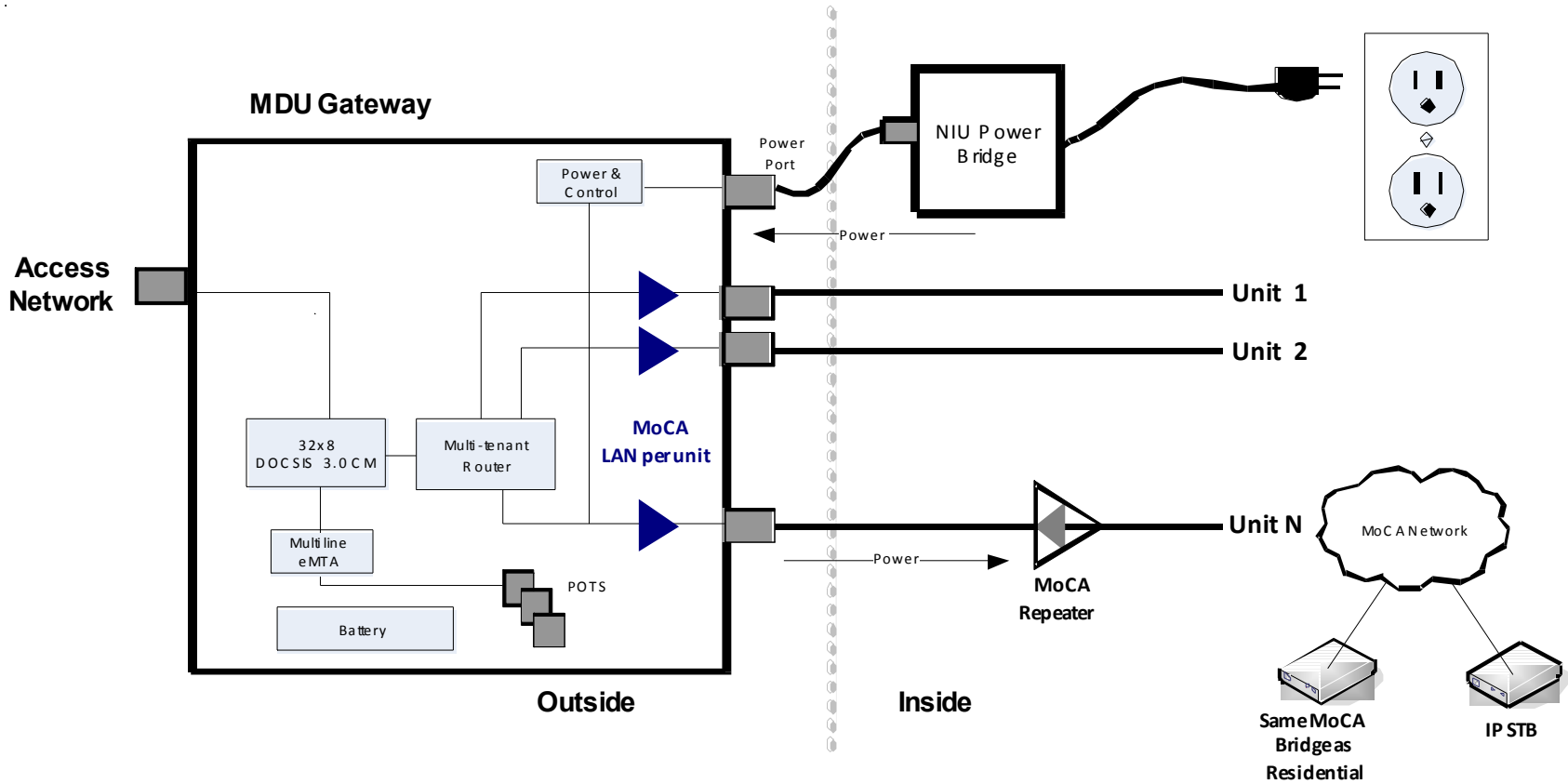
# Potential Future Uses of MoCA – Residential Gateway

Cox is exploring architectures that would isolate the access network at the side of the house. In one possible architecture, shown below, a MoCA 2.0 WAN would transport Cox services (video, voice and data) to an inside router, which would then distribute the services throughout the home on a MoCA 1.1 and/or 2.0 LAN. Network bridges would be used to connect to WiFi or other home network technologies as necessary.



*Note: This is only one of several possible architectures under consideration.*

# Another Possible Use of MoCA – MDU Gateway



# MoCA – A Critical Network Element Now and into the Future

Cox is firmly committed to the use of MoCA to deliver today's product needs and to help us evolve our in-home network to meet future product needs.

When you think **coax**,  
think **MoCA**.

When you think **MoCA**,  
think **coax**.™

The standard for  
**Home Entertainment Networking**™